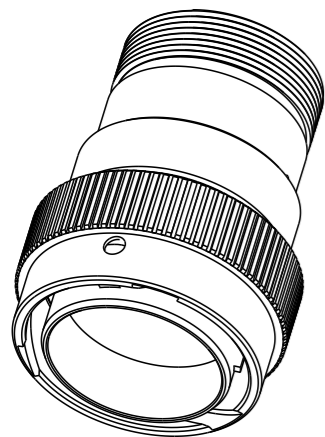
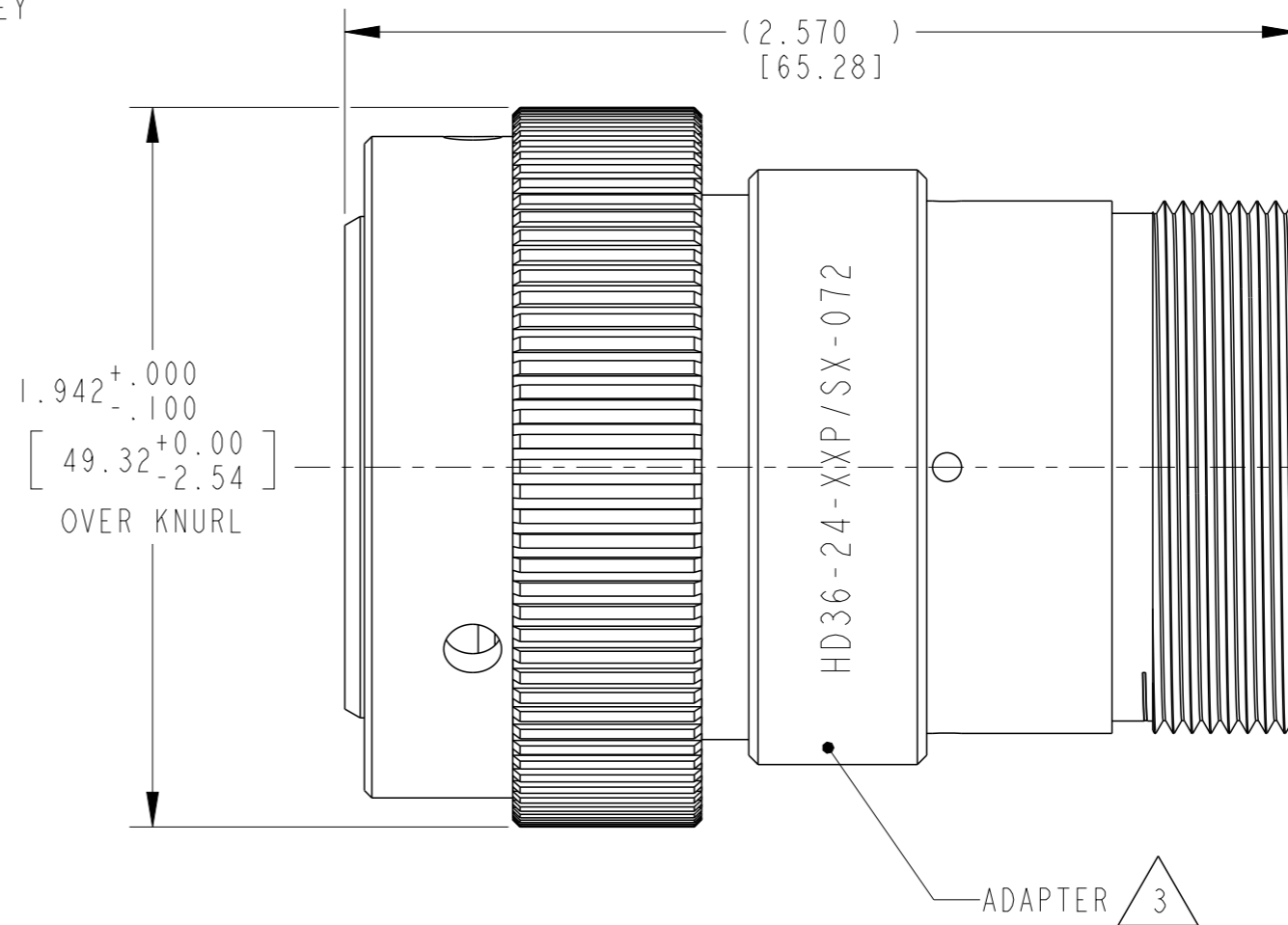
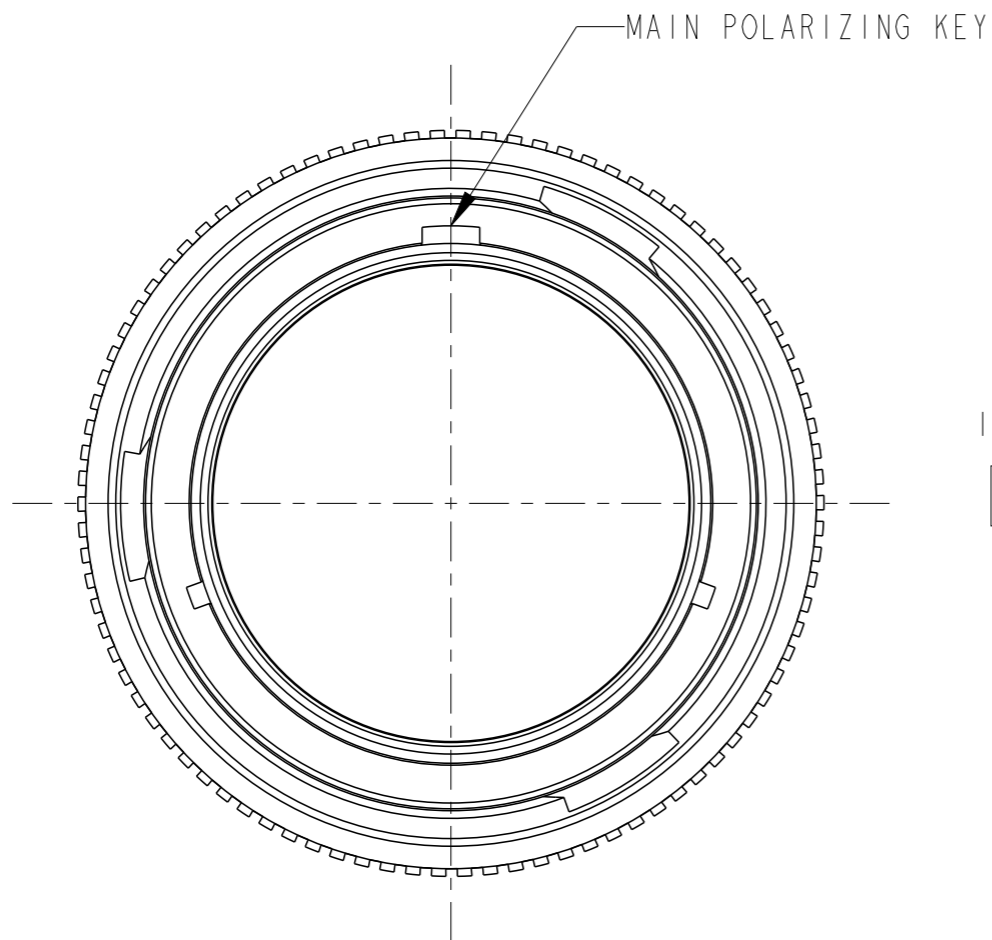


LOC	DIST	REVISIONS			
P	LTR	DESCRIPTION	DATE	DWN	APVD
-	-	NC	NEW RELEASE PER E.O. P19972	14AUG2008	- RDR
		A	REVISED PER E.O. P21009	19JUL2011	- RDR
		A1	REVISED PER ECO-15-001798	19MAR2015	PV DM



3D VIEW



3. MATERIAL:
 PLUG HOUSING: AL 6000 SERIES
 ADAPTER: AL 6000 SERIES

2. THE CONNECTOR MATES WITH HD34-24-XXS/PX-XXXX
 X = SEAL DESIGNATION, XX = NUMBER OF CAVITIES,
 XXXX = MODIFICATION DESIGNATION.

1. FOR ARRANGEMENT OF CONTACT LOCATION SEE DRAWING 0425-014-2400.

NOTES:

THIS DRAWING IS A CONTROLLED DOCUMENT.		DWN I. GRANTCHAROVA 30 JUL 2008		
		CHK B. BAYFORD 14 AUG 2008		
DIMENSIONS: INCHES [mm]		APVD S. BEARD 12 AUG 2008	NAME PLUG CONNECTOR, SHELL SIZE 24 BAYONET COUPLING, MOD -072 HD30 SERIES	
TOLERANCES UNLESS OTHERWISE SPECIFIED:		PRODUCT SPEC 0425-016-0000	RESTRICTED TO	
		APPLICATION SPEC 0425-015-0000	SIZE A3	CAGE CODE -
0 PLC ± 1 PLC ± 2 PLC ± 3 PLC ±0.01 [±0.254] 4 PLC ± ANGLES ±0° 30' 0" FINISH -		WEIGHT -	DRAWING NO HD36-24-XXP/SX-072	
MATERIAL SEE NOTE		Customer Drawing	SCALE :	SHEET OF
				REV A1